



Part no.: 429393
BT-2HF
Mounting bracket set

Figure can vary

Contents

- Technical data
- Dimensioned drawings



Part no.: 429393 – BT-2HF – Mounting bracket set

Technical data

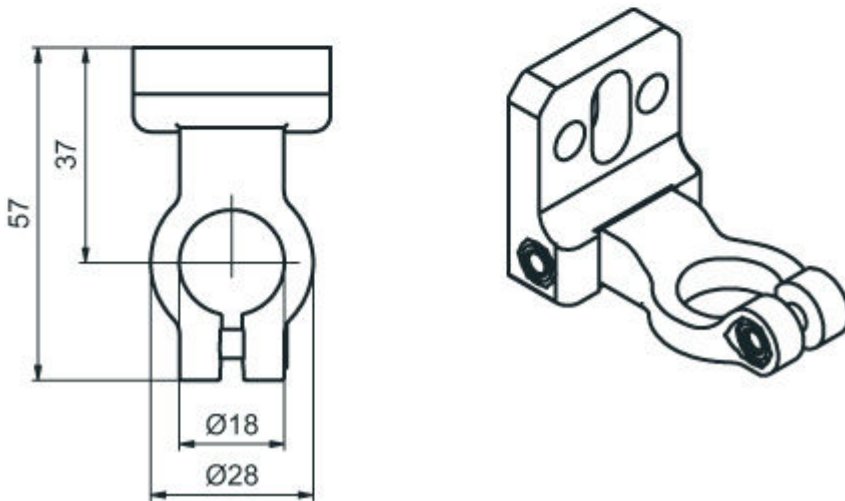
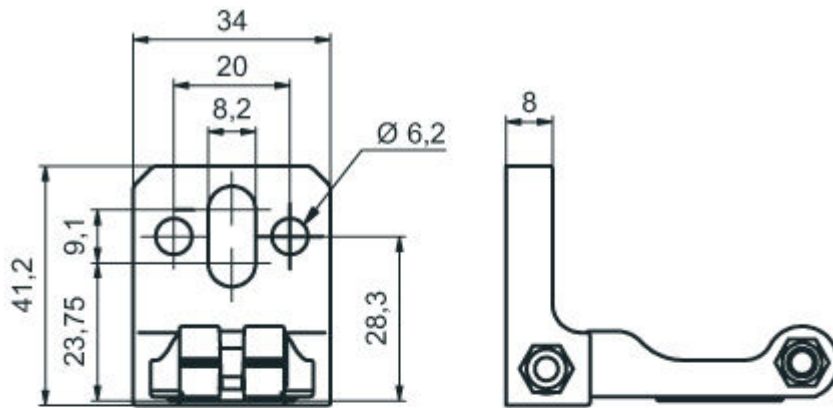
Basic data	
Contains	2x BT-HF swivel mount 1 cylinder for mounting on the light curtain
Suitable for	MLC 500, MLC 300 safety light curtains
Mechanical data	
Type of fastening, at system	Through-hole mounting
Type of fastening, at device	Clampable
Type of mounting device	Turning, 360°
Mounting device material	Metal Plastic
Classification	
eCl@ss 8.0	27279202
eCl@ss 9.0	27273701

Dimensioned drawings

All dimensions in millimeters

Part no.: 429393 – BT-2HF – Mounting bracket set

BT-HF swivel mount



Mounting variant

